

Dim-Out Blinds

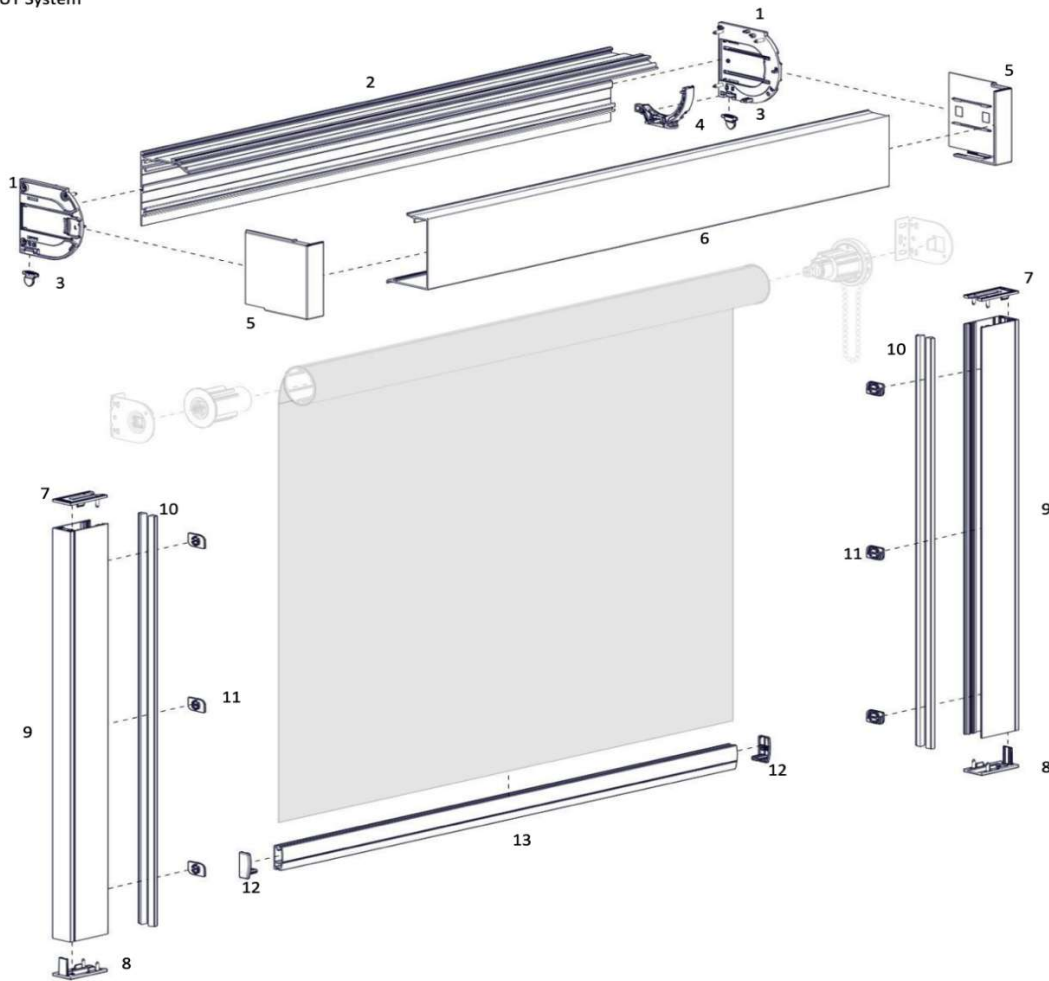
PRODUCT SPECIFICATION



SYSTEM OVERVIEW

GENERAL SCHEMATICS

dim-OUT System



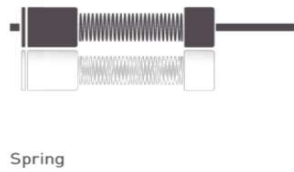
SYSTEM INDEX

Dim-Out Blinds

1. Cassette 90 End Plate Set
2. Cassette 90 Back
3. Cassette Side Guide Ear
4. Cassette 90 Square Chain Guide Set
5. Cassette 90 Square End Cap
6. Cassette 90 Square Cover
7. dim-OUT Side Guide Funnel Set + Screws
8. Bottom Cap Set + Screws
9. dim-OUT Side Guide - 2 Piece Set
10. Fabric Brush T Slot Fit - 7mm High x 4.8mm
11. dim-OUT Side Guide Lock
12. D30 Bottom Rail End Caps
13. D30 Bottom Rail

SYSTEM OPTIONS

CONTROL OPTIONS



COLOUR RANGE



pure white
069



sandstone
269



anodised
020

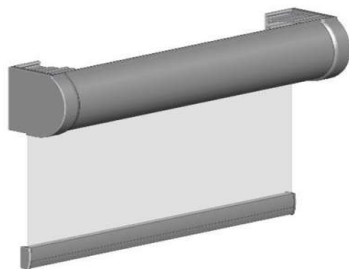


black
050

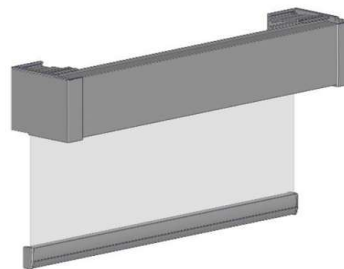
PRODUCT OPTIONS

FASCIA

Round Fascia

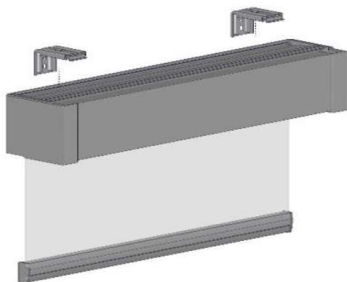


Square Fascia

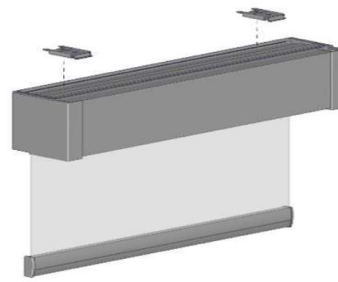


BRACKETS

Cassette 90 – Face Fix

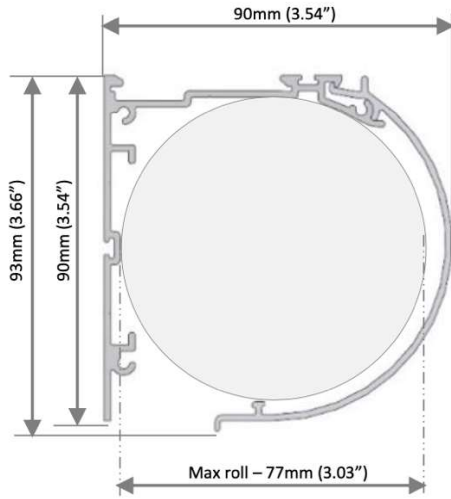


Cassette 90 – Top Fix

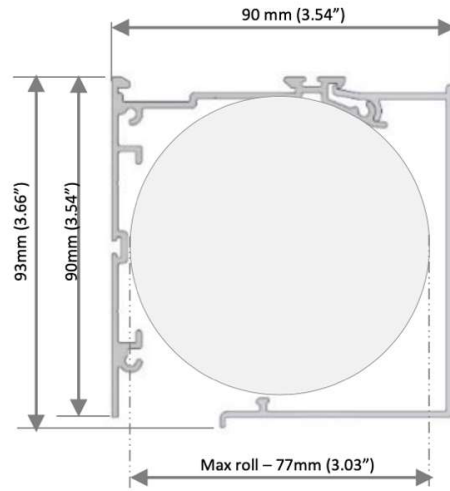


MAXIMUM ROLL DIAMETERS

Cassette 90



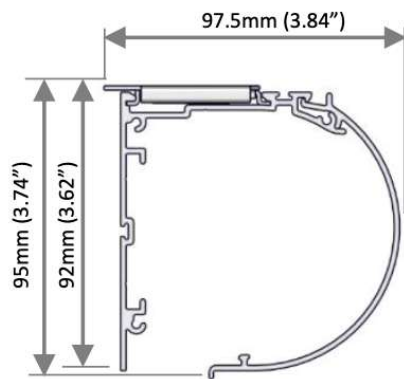
Round Cassette



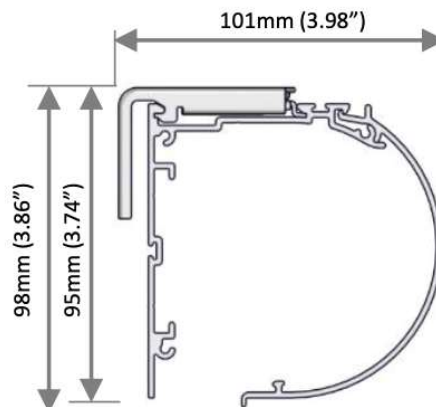
Square Cassette

BRACKET DIMENSIONS

Cassette 90



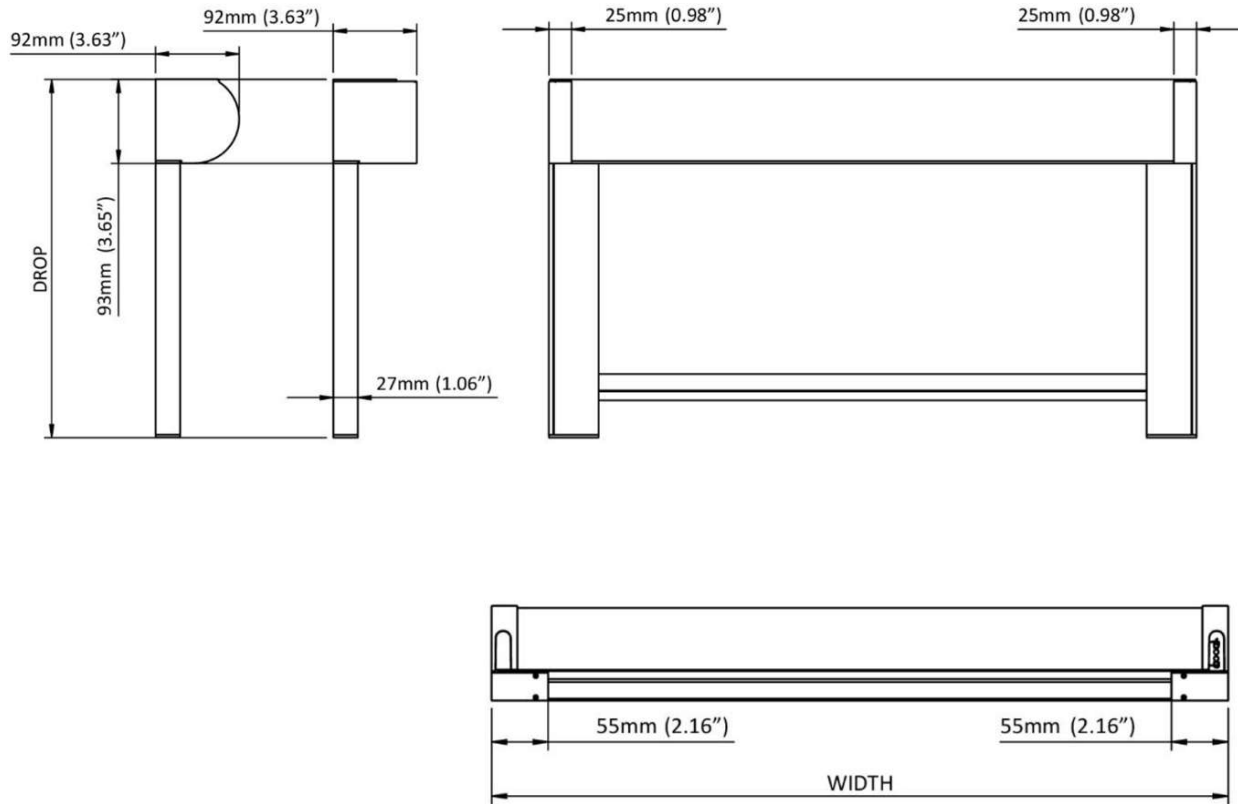
RC03-1001-xxx090



RC03-1002-xxx090

ARCHITECTURAL VIEWS

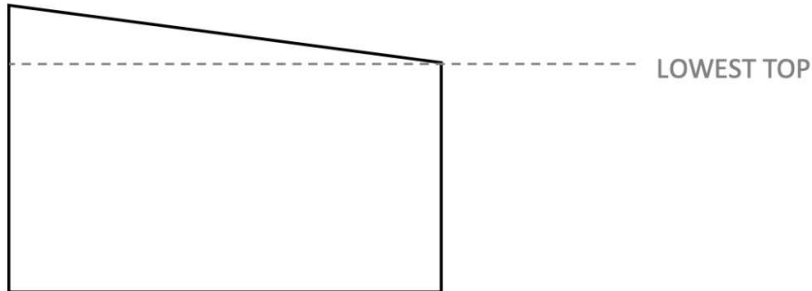
Cassette 90 - dim-OUT



MEASURING TIPS

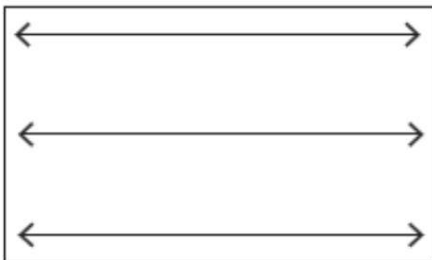
TIP 1: CHECK TOP OF INSTALLATION SPACE IS LEVEL

If Top of Installation Space is uneven, ensure 'Top Width' measurement and all 'Drop' measurements are taken from 'Lowest Top Point' (dotted line indicated below)



TIP 2: FOR BLIND INSTALLATION, TAKE NOTE OF MEASUREMENTS BELOW-

Installation Width at Top, Bottom (and Centre for dimOUT installations only)





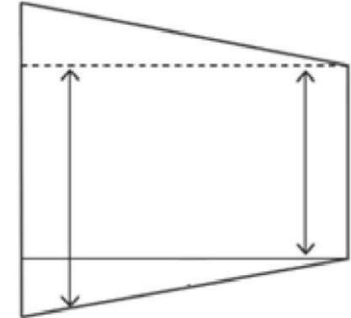



Installation drop at Left and Right



For best installation and operation results, it is favorable for the measurements to be within:

- 5mm of each other for dimOUT installations.
- 15mm of each other for plain cassette / fascia installations. •

BLIND DROP	EXAMPLE
<p>For all scenarios</p> <p>Top & Bottom level </p> <p>Top uneven & Bottom level </p> <p>Top level & Bottom uneven^ </p> <p>Top & Bottom uneven^ </p> <p>Blind Drop = Smallest Drop Size</p>	<p>Top & Bottom uneven</p>  <p>Blind Drop = Smallest Drop Size = Right Hand Drop Size (2000mm)</p>

For dim- OUT blind installations	
BLIND WIDTH	EXAMPLE
<p>Top width must be larger than or equal to Bottom Width</p>  <p>If measured width (at top) is larger than width at bottom, Blind Width = bottom width</p>	<p>TOP (2016mm)</p> <p>CENTRE (2008mm)</p> <p>BOTTOM (2000mm)</p> <p>Blind Width = 2000mm</p> 